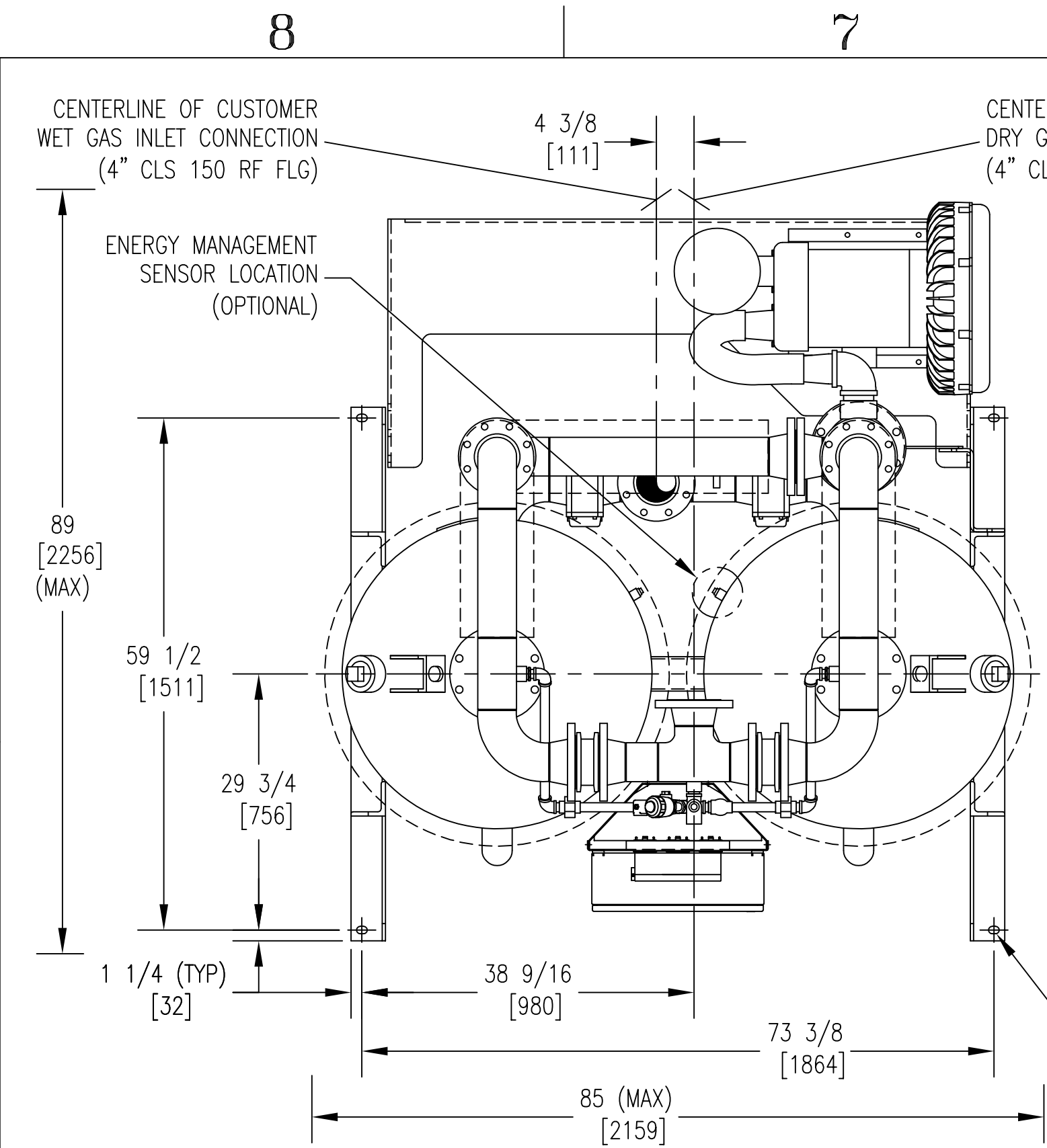
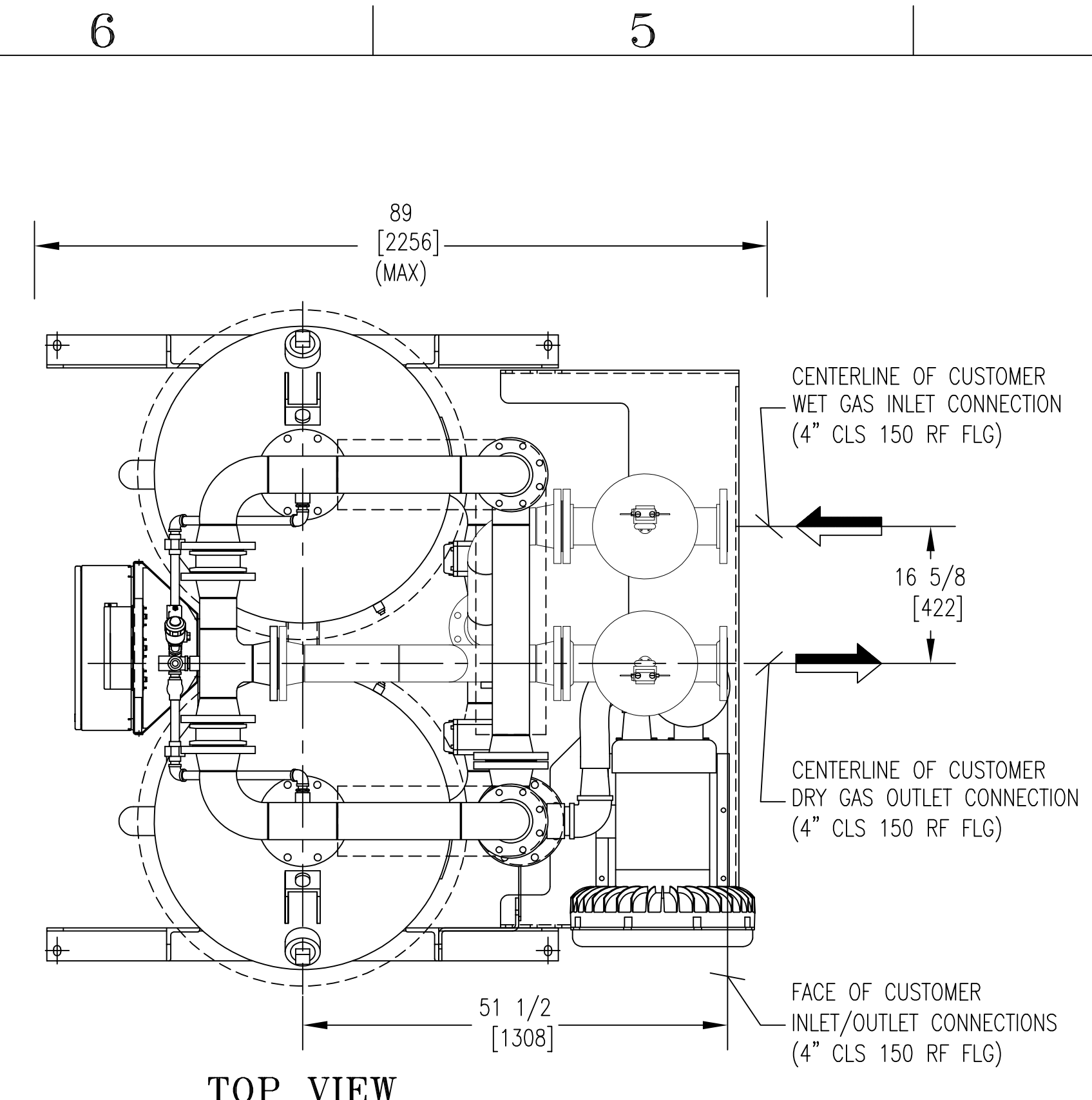


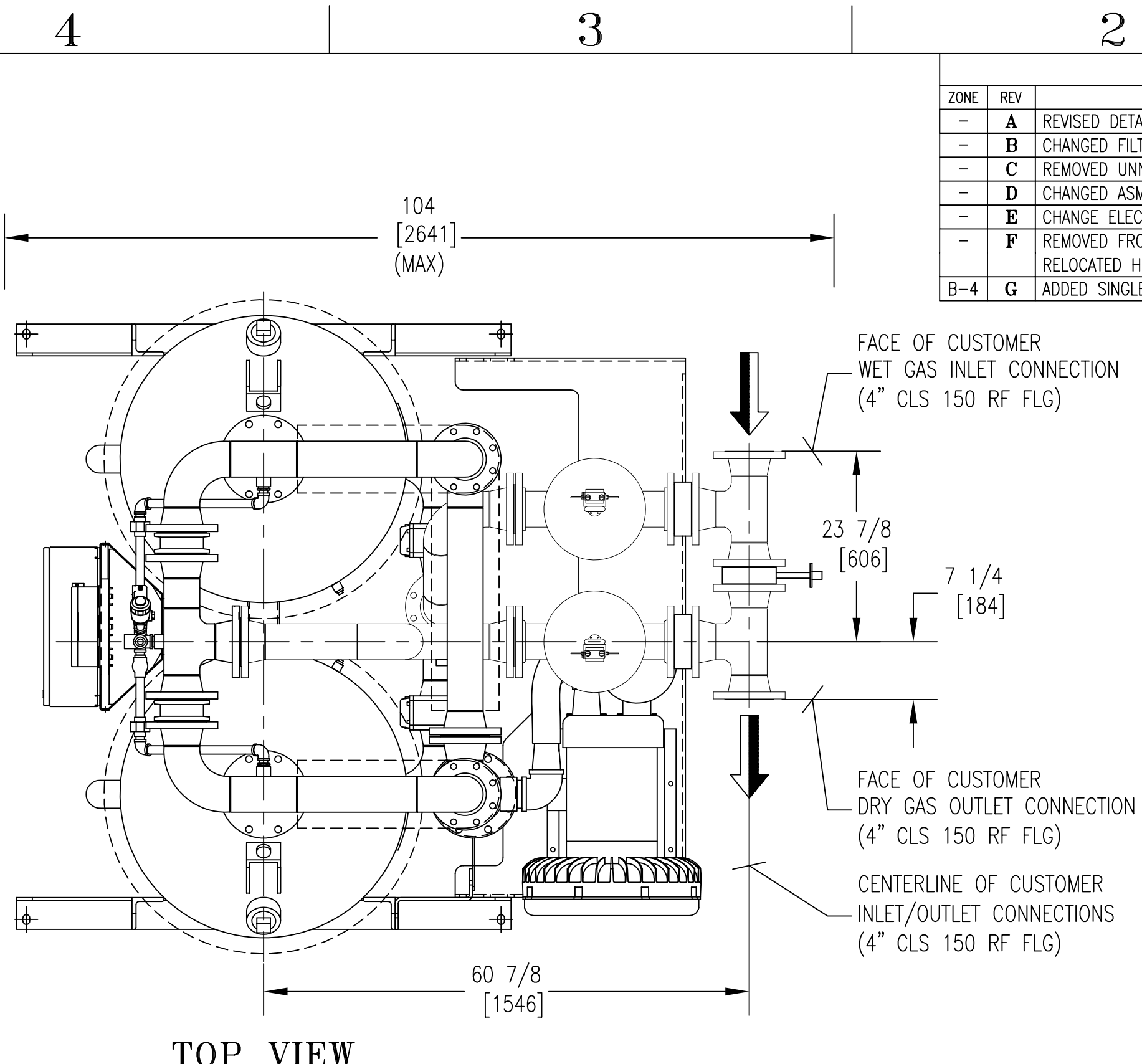
- REVISIONS -							
ZONE	REV	DESCRIPTION	CHG BY	CHK BY	APP BY	REL BY	DATE
-	A	REVISED DETAIL 'A'.	SDM	DEH	DEH	SDM	11/24/04
-	B	CHANGED FILTER PACKAGES.	SDM	DEH	DEH	SDM	10/16/06
-	C	REMOVED UNNEEDED DETAIL A	DL	DEH	DEH	SDM	02/16/07
-	D	CHANGED ASME RELIEF VALVE	LLS	SDM	SDM	SDM	02/19/08
-	E	CHANGE ELECTRICAL PANEL & VALVES	CPG	SDM	SDM	SDM	03/19/10
-	F	REMOVED FRONT, BACK & INNER ANGLES OF DRYER RELOCATED HEATER MTG BRKT & INSTRUMENTS	NSD/BEC	DEH	DEH	NSD/BEC	04/10/18
B-4	G	ADDED SINGLE PROBE DUAL RTD/THERMOCOUPLE	SOM/BEC	KL	DEH	SOM/BEC	05/31/19



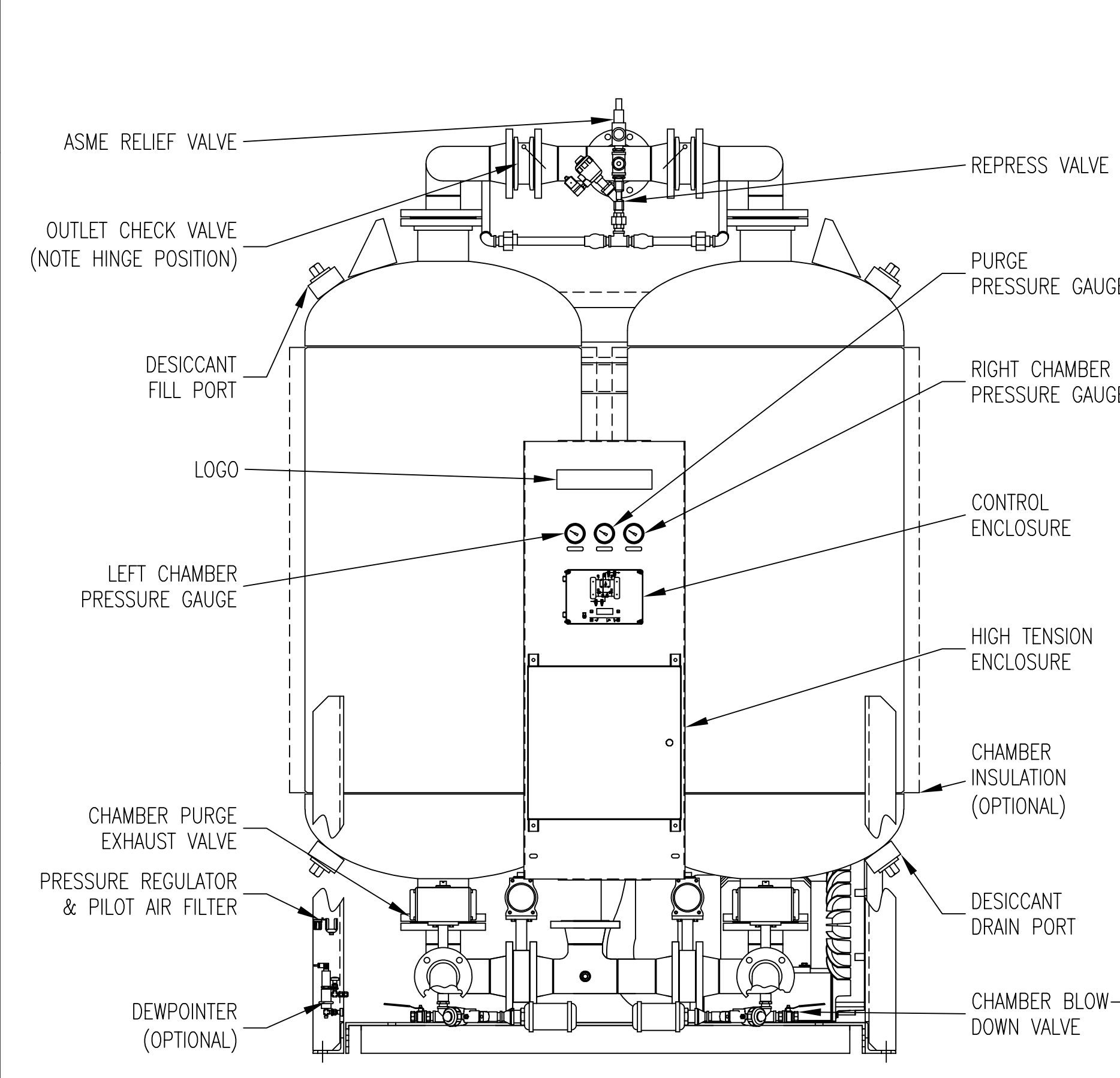
TOP VIEW



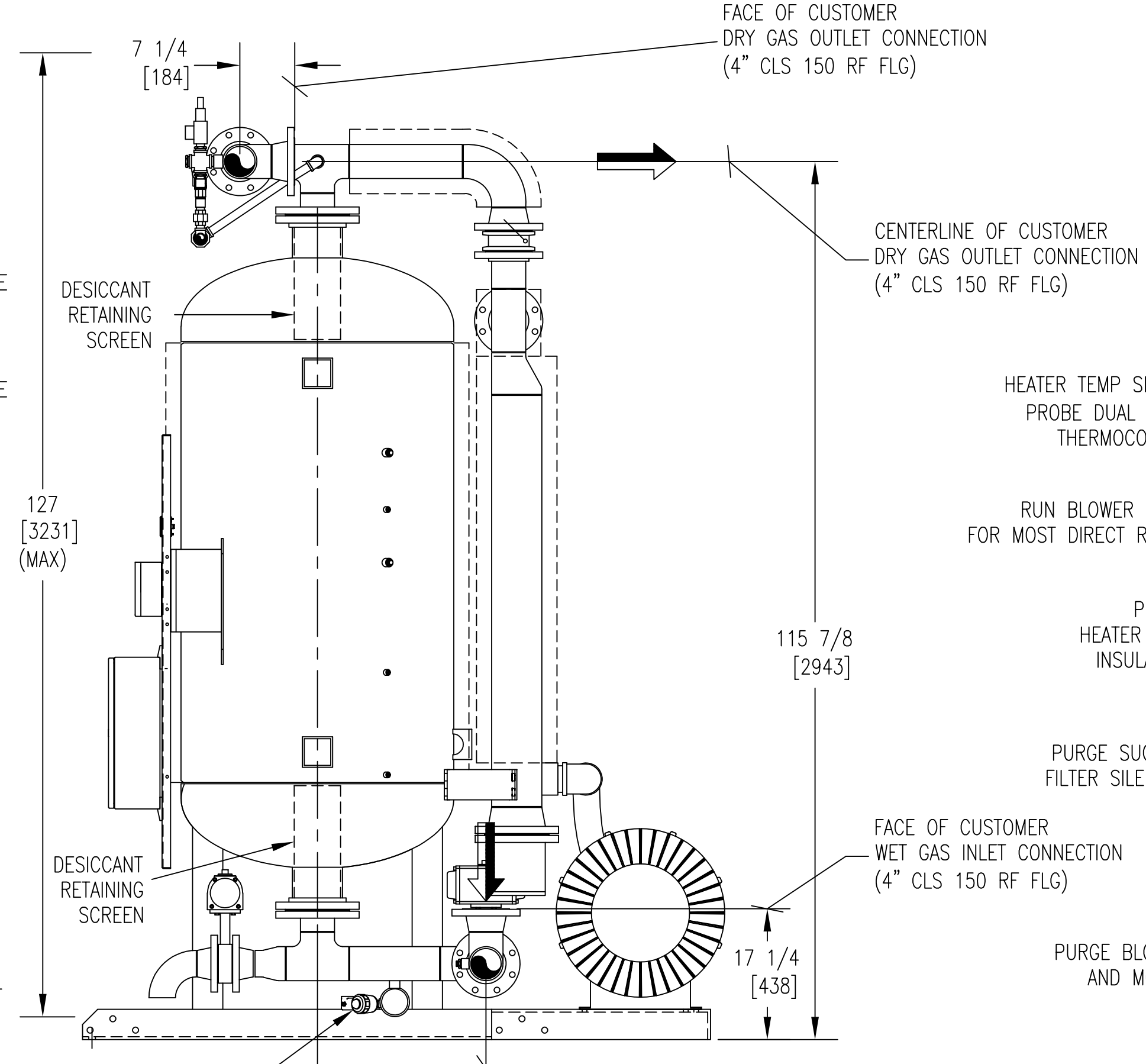
TOP VIEW  
(F01 PKG OPTIONAL)



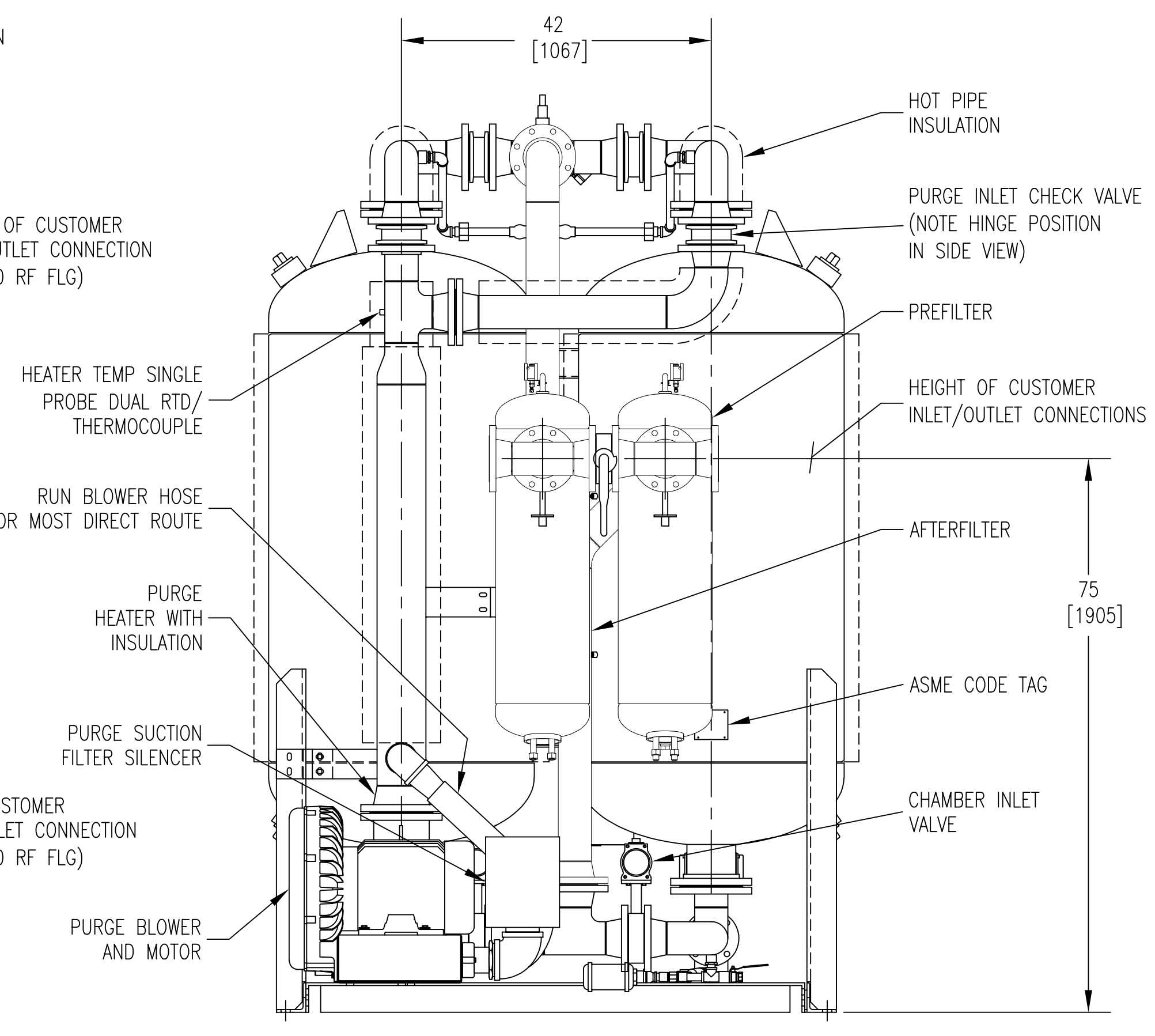
TOP VIEW  
(F02 PKG OPTIONAL)



FRONT VIEW



SIDE VIEW  
(RIGHT CHAMBER REMOVED FOR CLARITY)



REAR VIEW  
(F01/F02 PKG OPTIONAL)

- NOTES:
- THIS DRAWING, TOGETHER WITH THE P&ID AND SPECIFICATION SHEET, PROVIDES OPERATING CONDITIONS, SPECIFICATIONS, INSTALLATION, MOUNTING AND CONNECTION REQUIREMENTS.
  - PRESSURE VESSELS ARE DESIGNED AND BUILT IN ACCORDANCE WITH THE CURRENT EDITION AND ADDENDA OF SECTION VIII, DIV. I, OF THE A.S.M.E. CODE FOR UNFIRED PRESSURE VESSELS.
  - ELECTRICAL CONSTRUCTION IS IN ACCORDANCE WITH THE NATIONAL ELECTRICAL CODE.
  - ANCHOR BOLTS ARE TO PROJECT A MINIMUM OF 2" ABOVE THE FOUNDATION. ANCHOR BOLTS SHOULD BE INSTALLED IN SLEEVES TO ALLOW SOME ADJUSTMENT AT TIME OF INSTALLATION.
  - FOR MAINTENANCE PURPOSES, RECOMMENDED CLEARANCE AROUND DRYER IS 4 FEET [1220 MM].
  - IF THE EQUIPMENT IS TO DRY (OR REACTIVATE WITH) A GAS OTHER THAN AIR, THE OUTLETS OF THE SAFETY VALVE, REACTIVATION GAS OUTLET LINE, BLOWDOWN VALVES, ETC. SHALL BE PIPED AWAY TO A SAFE LOCATION (BY PURCHASER). IN PIPING AWAY GAS, DO NOT PIPE UPWARD WITHOUT ADEQUATE ARRANGEMENTS TO PREVENT TRAPPING CONDENSATION.
  - WEIGHTS: SHIPPING WEIGHT 7,753 LBS. (APPROX.)  
3,517 KGS  
OPERATING WEIGHT 7,753 LBS. (APPROX.)  
3,517 KGS
  - WHEN FILTER OPTION IS SUPPLIED, REMOVE FILTER AND FILTER PIPING FOR SHIPPING.

UNLESS OTHERWISE SPECIFIED:		NAME	DATE	UNAUTHORIZED USE, MANUFACTURE, OR REPRODUCTION IN WHOLE OR IN PART IS PROHIBITED. DRAWING DESIGN AND OTHER DISCLOSURES ARE PROPERTY OF:
DIMENSIONS ARE IN: INCHES/MM	N/A	SDM	11/08/04	<b>Deltech</b> * DO NOT SCALE. DIMENSIONS ONLY *
SURFACE FINISH:	N/A	DEH	11/08/04	
TOL.	MM INCHES	CHK BY	SDM 11/08/04	<b>GENERAL ARRANGEMENT</b> ZP 2600
X.	-	APP BY	DEH 11/08/04	
.XX	-	REL BY	SDM 11/08/04	
.XXX	-	MAT NO.	----	
FRACT: ±1/2	ANG: ±2°	SIZE DWG. NO.	D 0017108-2600	REV. SHEET
SCALE: 1/16	WT: N/A			G 1/1