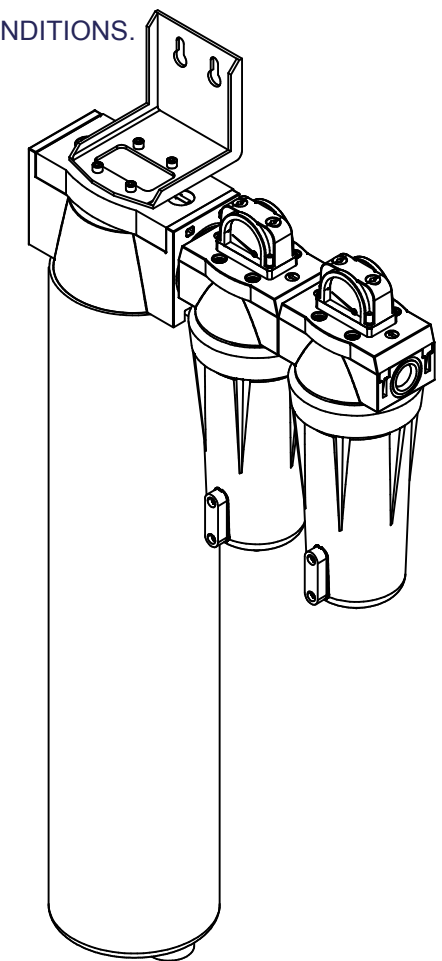
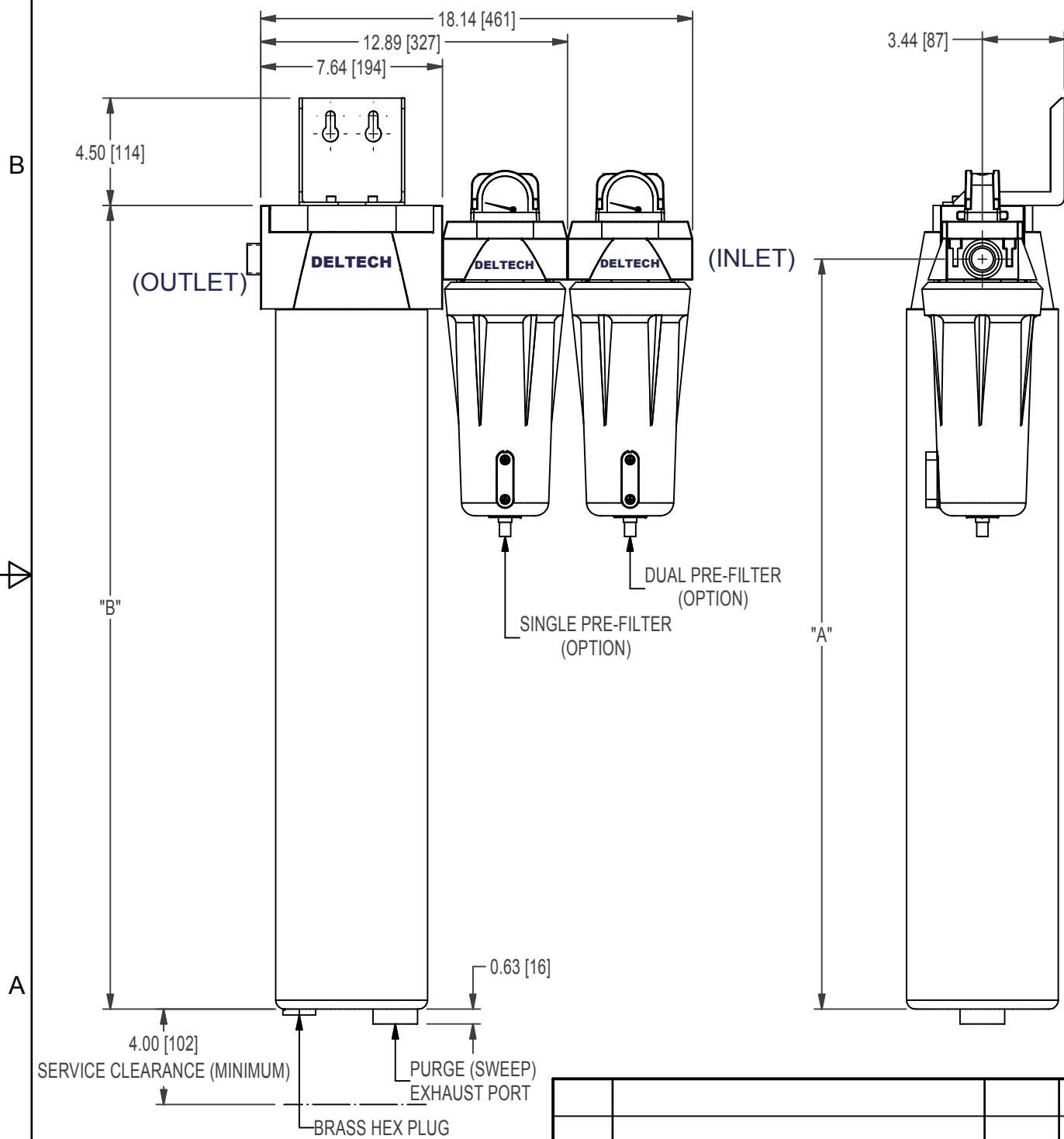


DEHYDRATION MEMBRANE DATA					PERFORMANCE CHART (RATED CONDITIONS)	
MODEL #	"A", IN (mm)	"B", IN (mm)	DRYER WEIGHT, LBS (kg)	DRYER REPLACEMENT CARTRIDGE	INLET FLOW RATE, PDP @ +40F	OUTLET FLOW RATE, PDP @ +40F
DMD8-16	31.15 (791)	33.72 (856)	35 (16)	DMB8-II	106.3 (3.01)	91.6 (2.59)
DMD9-16	37.28 (947)	39.85 (1012)	40 (18)	DMB9-II	138.1(3.91)	119.3 (3.38)

MODEL#	INLET FLOW RATE, PDP @ -40F	OUTLET FLOW RATE, PDP @ -40F
DMD8-16	33.8 (0.96)	19.1 (0.54)
DMD9-16	46.2 (1.31)	27.4 (0.78)

*NOTE(S): FLOW RATE UNITS ARE AS FOLLOWS: SCFM (Nm3/min).
CONSULT FACTORY FOR PERFORMANCE UNDER NON-RATED CONDITIONS.



NOTES & SPECIFICATIONS:

1. ALL MODELS TESTED TO CAGI ADF700 TEST STANDARDS.
2. RATED PERFORMANCE BASED ON THE FOLLOWING CAGI ACCEPTED CONDITIONS:
INLET TEMPERATURE (SATURATED): 100°F (38°C), INLET PRESSURE: 100-PSIG (6.9-BARG).
3. ADD AN F TO THE MODEL NUMBER TO DESIGNATE A SINGLE PRE-FILTER (e.g. DMD8-16F).
4. ADD AN F2 TO THE MODEL NUMBER TO DESIGNATE A DUAL PRE-FILTER PACKAGE (e.g. DMD8-16F2).
5. ADD AN ADDITIONAL 6.3-LBS (2.9-kg) FOR EACH ADDITIONAL DMD8 PRE-FILTER. ADD AN ADDITIONAL 6.9-LBS (3.1-kg) FOR EACH ADDITIONAL DMD9 PRE-FILTER.

REV.	DESCRIPTION	BY	DATE	APPROVED
REVISION HISTORY (△ INDICATES LATEST REVISION)				

UNLESS OTHERWISE SPECIFIED
DIMENSIONS ARE IN INCHES
TOL. ON FRACTIONS: ±
TOL. ON DECIMALS: ± .03 (2 PLACE)
TOL. ON DECIMALS: ± .015 (3 PLACE)
TOL. ON ANGLES: ± 1°

THIRD ANGLE PROJECTION

FILER NO:
DRAWN BY: RJH
DATE: 11/17/2006
CHECKED BY: DDB
DATE: 11/17/2006
APPROVED BY: DDB
DATE: 11/17/2006

Deltech
deltech-spx.com

TITLE: MEMBRANE DRYER MODELS
DMD8 THRU DMD9

SIZE: B	MATL:	DWG. NO.: GA21DEL-0003	REV.:
SCALE: NONE	EST. WT.:	SHEET 1 OF 1	