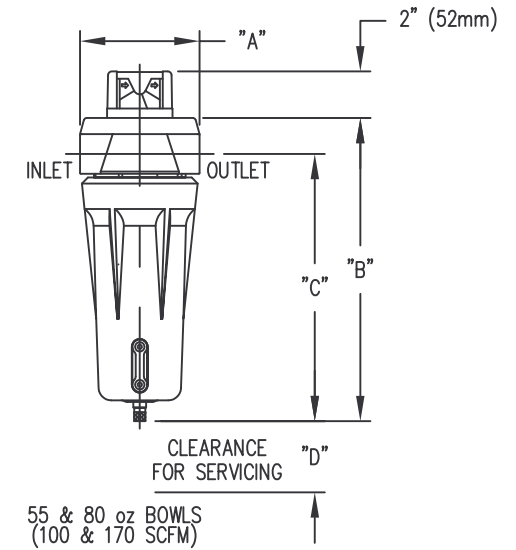
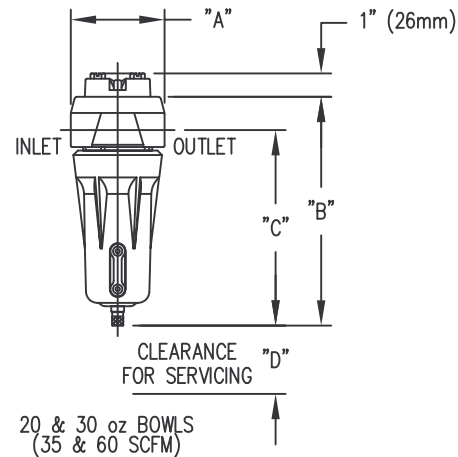
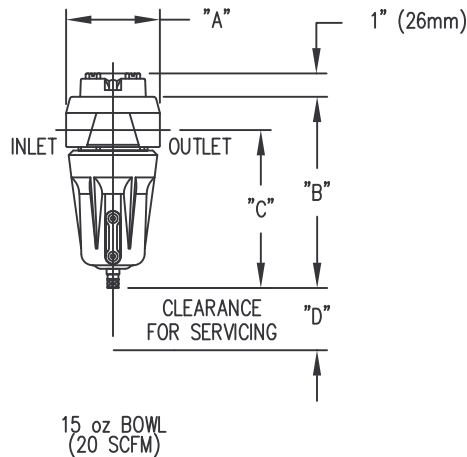


FILTER TYPE		DF20-(GRADE)	DF35-(GRADE)	DF60-(GRADE)	DF100-(GRADE)	DF170-(GRADE)
REPLACEMENT ELEMENT		FE20-(GRADE)	FE35-(GRADE)	FE60-(GRADE)	FE100-(GRADE)	FE170-(GRADE)
NOMINAL AIR FLOW	SCFM @ 100 psig (m <sup>3</sup> /hr @ 7.0 bar)	20 (35)	35 (60)	60 (105)	100 (170)	170 (250)
IN/OUT CONNECTION	in. (NPT/BSP)	3/8, 1/2	3/8, 1/2	3/8, 1/2	3/4, 1	3/4, 1
"A"	in., (mm)	4.13, (105)	4.13, (105)	4.13, (105)	5.25, (133)	5.25, (133)
"B"	in., (mm)	7.15, (182)	10.05, (255)	12.40, (316)	13.32, (338)	17.57, (446)
"C"	in., (mm)	6.40, (163)	8.59, (219)	10.97, (285)	11.74, (298)	15.99, (406)
"D"	in., (mm)	3.00, (76)	3.00, (76)	3.00, (76)	3.50, (89)	3.50, (89)
WEIGHT	lb (kg)	4.2 (2.9)	8.1 (3.67)	8.5 (3.86)	6.3 (2.9)	6.9 (3.1)
MWP SEE NOTES#1, 2	psig/(bar)	300/(21)	300/(21)	300/(21)	300/(21)	300/(21)
MAXIMUM OPERATING TEMPERATURE	F (°C)	150 (66)	150 (66)	150 (66)	150 (66)	150 (66)
HEAD MATERIAL		ALUMINUM	ALUMINUM	ALUMINUM	ALUMINUM	ALUMINUM
BOWL MATERIAL		ALUMINUM	ALUMINUM	ALUMINUM	ALUMINUM	ALUMINUM
LLI MATERIAL		ISOPLAST	ISOPLAST	ISOPLAST	ISOPLAST	ISOPLAST

### NOTES & SPECIFICATIONS

- MAWP – MAXIMUM ALLOWABLE WORKING PRESSURE.
- FILTER ASSEMBLIES WITH AN LLI OR AN AUTOMATIC FLOAT DRAIN INSTALLED WILL HAVE A MAWP OF 250 psi (17 bar).



REV.	DESCRIPTION	BY	DATE	APPROVED
REVISION HISTORY (△ INDICATES LATEST REVISION)				

UNLESS OTHERWISE SPECIFIED  
DIMENSIONS ARE IN INCHES  
TOL. ON FRACTIONS: ±  
TOL. ON DECIMALS: ±.06 (2 PLACE)  
TOL. ON DECIMALS: ±.030 (3 PLACE)  
TOL. ON ANGLES: ± 1

THIRD ANGLE PROJECTION

FILER NO.  
DRAWN BY: DDB  
DATE: 12/9/05  
CHECKED BY: DDB  
DATE: 12/9/05  
APPROVED BY: DDB  
DATE: 12/9/05

<b>DELTECH</b>			
DF FILTER DIMENSIONAL DATA DF20-170			
SIZE B	DWG. NO. GA23DEL-0001	REV.	
SCALE:	EST. WT.	SHEET 1 OF 2	