

**DuraVane<sup>HV</sup>** high vacuum pumps (RVR-series): Lubricated rotary vane pumps for operating in the pressure range of  $7.5 \times 10^{-1}$  down to  $7.5 \times 10^{-3}$  Torr\*. (Partial final pressure range  $3.8 \times 10^{-1}$  to  $3.8 \times 10^{-3}$  Torr - McLeod). The pumps feature a compact design with very quiet operation (54-64dBA). Typical applications include refrigeration, air-conditioning and other high vacuum requirements.

- Heavy duty construction.
- Compact design, small footprint.
- Multi-frequency motor.
- Gas ballast valve is standard.
- Low noise level.
- Low maintenance.
- Air-cooled design.
- Direct drive.
- Simple to install.

\* = Total final pressure unless otherwise specified.

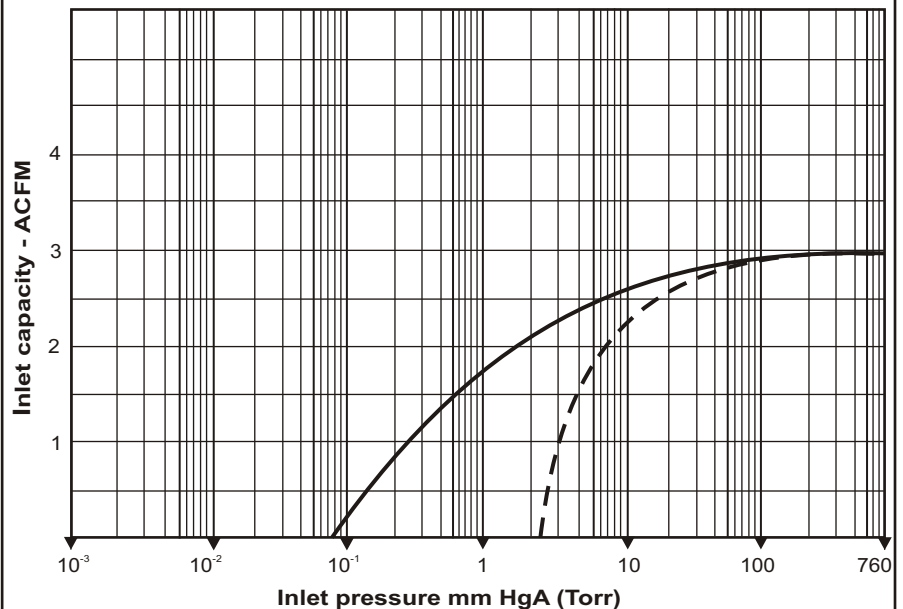


Performance characteristics	
Number of stages:	1
Displacement:	3CFM
Final pressure:	$7.5 \times 10^{-2}$ Torr
Partial (McLeod):	$3.8 \times 10^{-2}$ Torr
with gas ballast:	2.3 Torr
Motor:	0.5HP/50/60Hz TEFC
Voltage:	115/230V/1phase
Speed:	1800RPM
Noise level (at 3ft):	54dBA
Oil reservoir cap.:	0.3qt
Oil type:	Duratex68
Weight:	24Lbs
Inlet conn.:	1/4" NPT

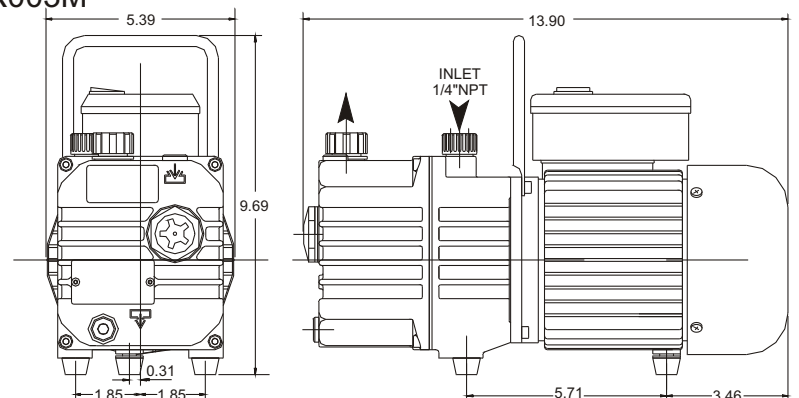
RVR003M

Based on 760 mm Hg (Torr) barometric pressure.  
Inlet temperature 70° deg. F.

--- with gas ballast



RVR003M



Information contained in this document is for reference only. Subject to change without notice.

**DuraVane<sup>HV</sup>** high vacuum pumps (RVR-series): Lubricated rotary vane pumps for operating in the pressure range of  $7.5 \times 10^{-1}$  down to  $7.5 \times 10^{-3}$  Torr\*. (Partial final pressure range  $3.8 \times 10^{-1}$  to  $3.8 \times 10^{-3}$  Torr - McLeod). The pumps feature a compact design with very quiet operation (54-64dBA). Typical applications include refrigeration, air-conditioning and other high vacuum requirements.

- Heavy duty construction.
- Compact design, small footprint.
- Multi-frequency motor.
- Gas ballast valve is standard.
- Low noise level.
- Low maintenance.
- Air-cooled design.
- Direct drive.
- Simple to install.

\* = Total final pressure unless otherwise specified.

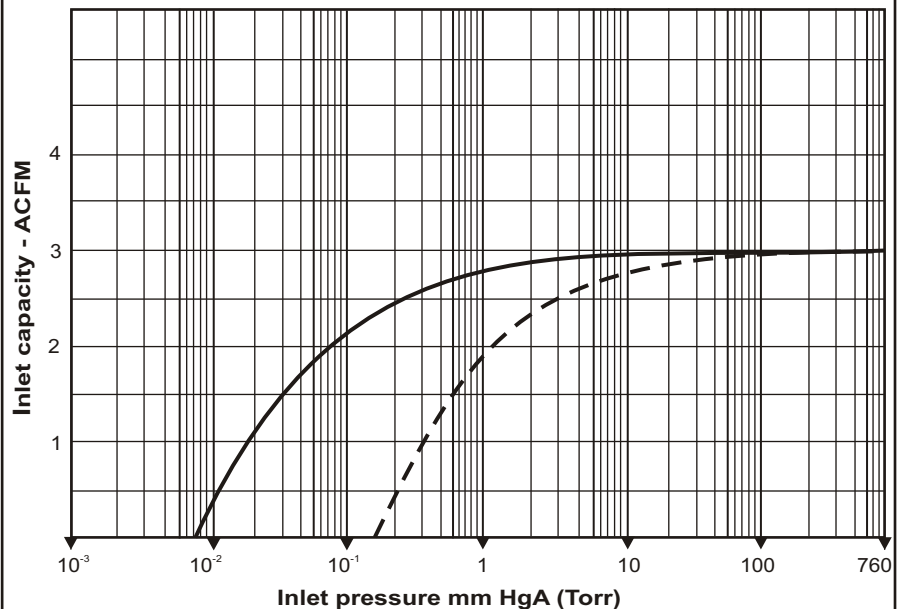


Performance characteristics	
Number of stages:	2
Displacement:	3CFM
Final pressure:	$7.5 \times 10^{-3}$ Torr
Partial (McLeod):	$3.8 \times 10^{-3}$ Torr
with gas ballast:	$1.5 \times 10^{-1}$ Torr
Motor:	0.5HP/50/60Hz TEFC
Voltage:	115/230V/1phase
Speed:	1800RPM
Noise level (at 3ft):	54dBA
Oil reservoir cap.:	0.25qt
Oil type:	Duratex68
Weight:	27Lbs
Inlet conn.:	1/4" NPT

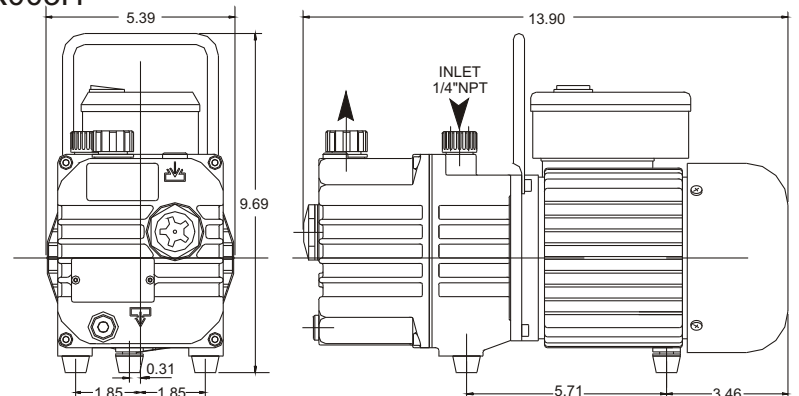
RVR003H

Based on 760 mm Hg (Torr) barometric pressure.  
Inlet temperature 70° deg. F.

--- with gas ballast



RVR003H

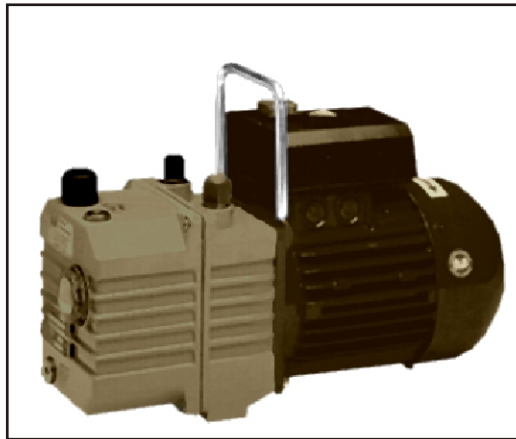


Information contained in this document is for reference only. Subject to change without notice.

**DuraVane<sup>HV</sup>** high vacuum pumps (RVR-series): Lubricated rotary vane pumps for operating in the pressure range of  $7.5 \times 10^{-1}$  down to  $7.5 \times 10^{-3}$  Torr\*. (Partial final pressure range  $3.8 \times 10^{-1}$  to  $3.8 \times 10^{-3}$  Torr - McLeod). The pumps feature a compact design with very quiet operation (54-64dBA). Typical applications include refrigeration, air-conditioning and other high vacuum requirements.

- Heavy duty construction.
- Compact design, small footprint.
- Multi-frequency motor.
- Gas ballast valve is standard.
- Low noise level.
- Low maintenance.
- Air-cooled design.
- Direct drive.
- Simple to install.

\* = Total final pressure unless otherwise specified.

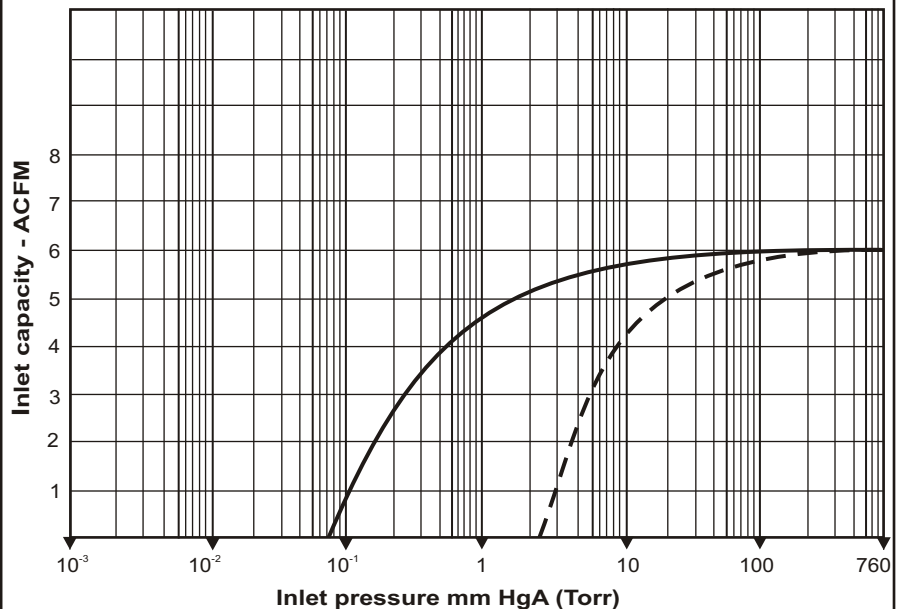


Performance characteristics	
Number of stages:	1
Displacement:	6CFM
Final pressure:	$7.5 \times 10^{-2}$ Torr
Partial (McLeod):	$3.8 \times 10^{-2}$ Torr
with gas ballast:	2.3 Torr
Motor:	0.5HP/50/60Hz TEFC
Voltage:	115/230V/1phase
Speed:	1800RPM
Noise level (at 3ft):	54dBA
Oil reservoir cap.:	0.4qt
Oil type:	Duratex68
Weight:	28Lbs
Inlet conn.:	1/4" NPT

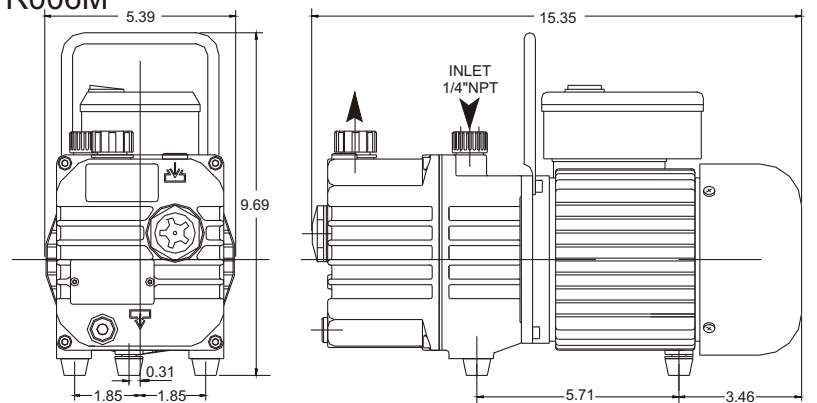
RVR006M

Based on 760 mm Hg (Torr) barometric pressure.  
Inlet temperature 70° deg. F.

--- with gas ballast



RVR006M

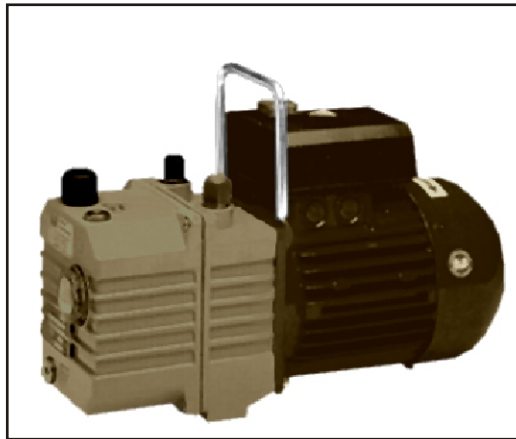


Information contained in this document is for reference only. Subject to change without notice.

**DuraVane<sup>HV</sup>** high vacuum pumps (RVR-series): Lubricated rotary vane pumps for operating in the pressure range of  $7.5 \times 10^{-1}$  down to  $7.5 \times 10^{-3}$  Torr\*. (Partial final pressure range  $3.8 \times 10^{-1}$  to  $3.8 \times 10^{-3}$  Torr - McLeod). The pumps feature a compact design with very quiet operation (54-64dBA). Typical applications include refrigeration, air-conditioning and other high vacuum requirements.

- Heavy duty construction.
- Compact design, small footprint.
- Multi-frequency motor.
- Gas ballast valve is standard.
- Low noise level.
- Low maintenance.
- Air-cooled design.
- Direct drive.
- Simple to install.

\* = Total final pressure unless otherwise specified.

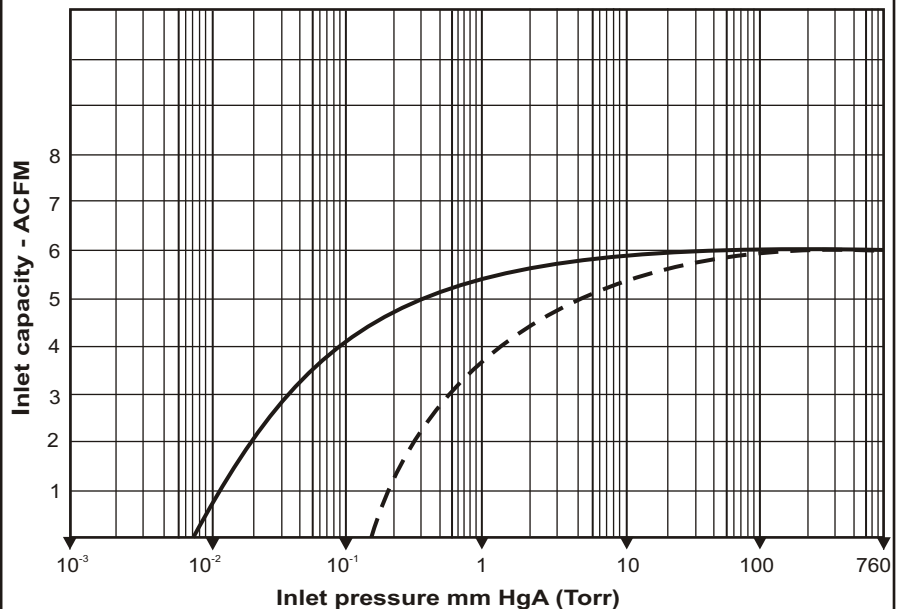


Performance characteristics	
Number of stages:	2
Displacement:	6CFM
Final pressure:	$7.5 \times 10^{-3}$ Torr
Partial (McLeod):	$3.8 \times 10^{-3}$ Torr
with gas ballast:	$1.5 \times 10^{-1}$ Torr
Motor:	0.5HP/50/60Hz TEFC
Voltage:	115/230V/1phase
Speed:	1800RPM
Noise level (at 3ft):	54dBA
Oil reservoir cap.:	0.35qt
Oil type:	Duratex68
Weight:	30Lbs
Inlet conn.:	1/4" NPT

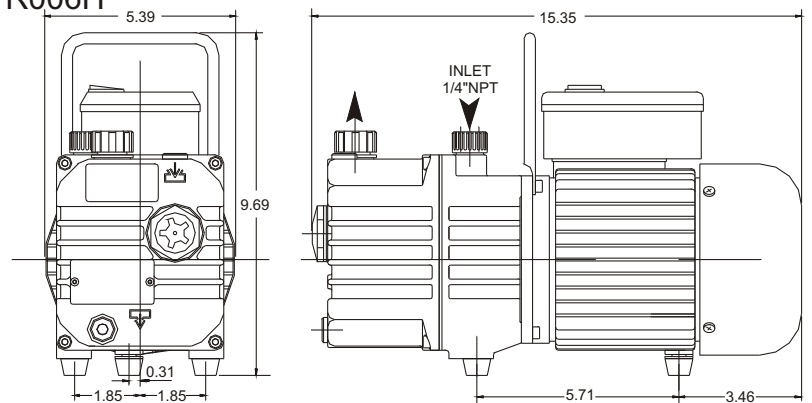
RVR006H

Based on 760 mm Hg (Torr) barometric pressure.  
Inlet temperature 70° deg. F.

--- with gas ballast



RVR006H



Information contained in this document is for reference only. Subject to change without notice.