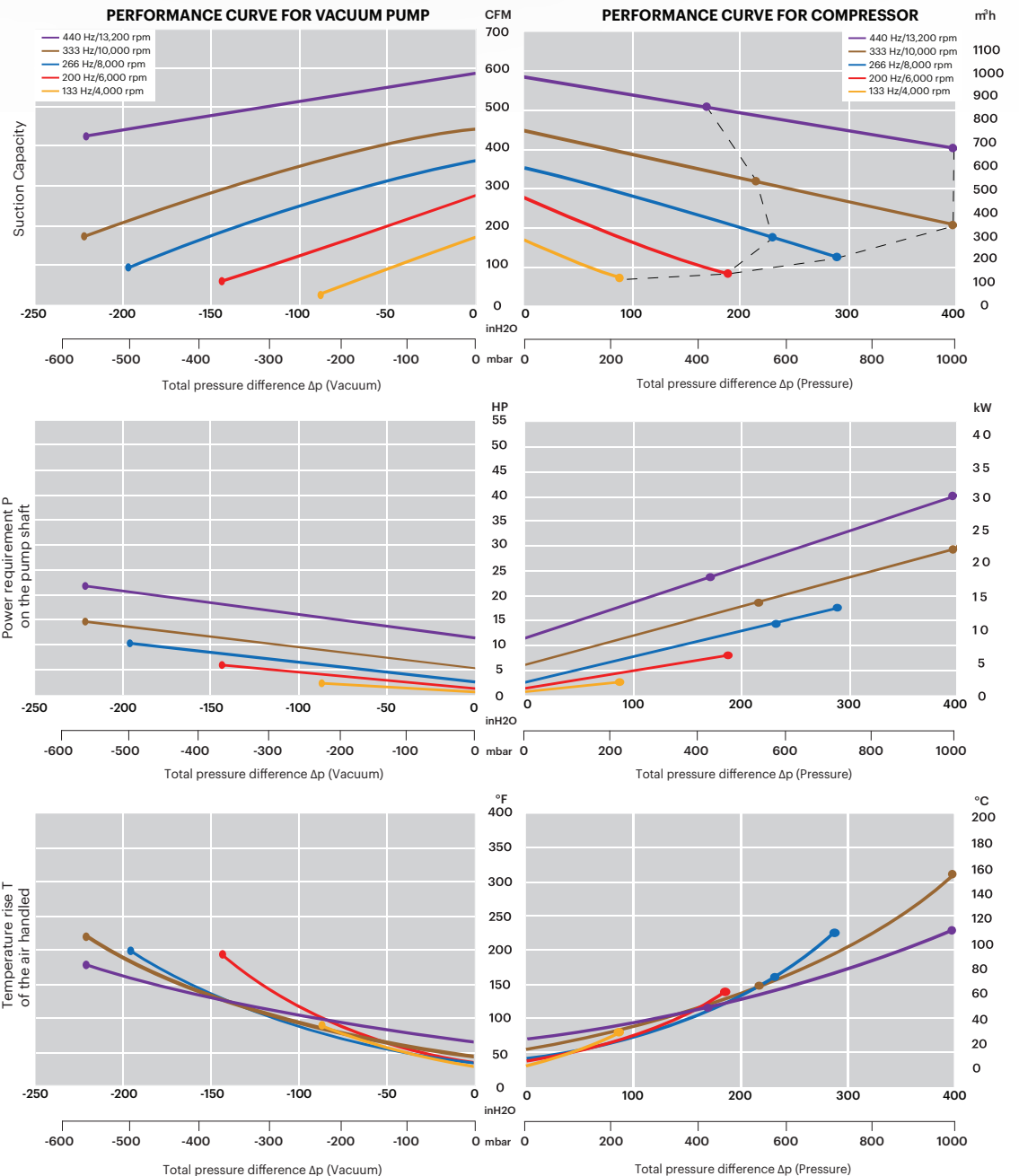


## FEATURES

- o Oil-Free
- o Non-contacting kinetic blower design
- o Hybrid ceramic bearings
- o Titanium impeller
- o Low energy consumption
- o Low noise level
- o Maintenance-free
- o IE4/NEMA super-premium permanent magnet motor
- o Customized for your specific needs and application



## PERFORMANCE CURVES\*



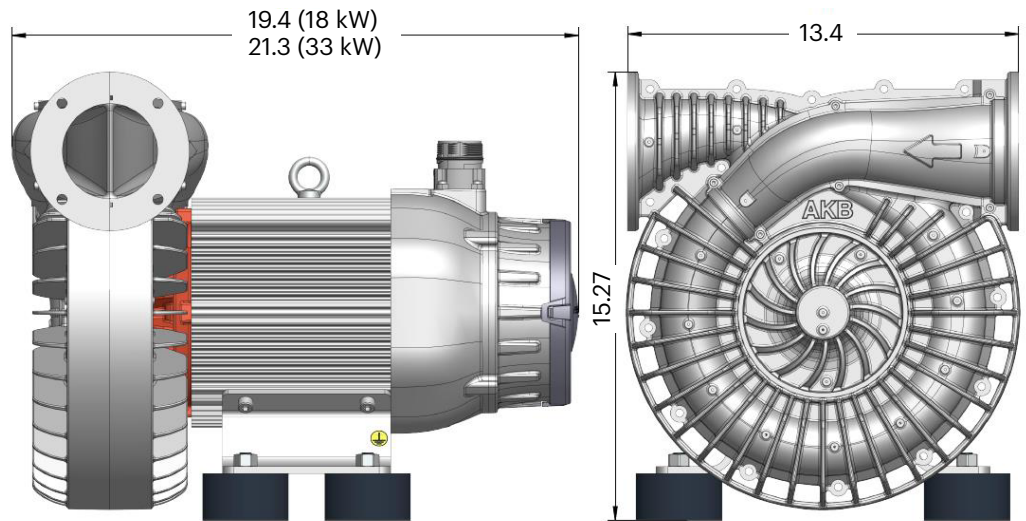
**AIRTECH GROUP, INC.**

RUTHERFORD, NJ 07070  
 WWW.AIRTECHUSA.COM  
 TEL: (888) 222-9940  
 FAX: (201) 569-1696

## PERFORMANCE DATA

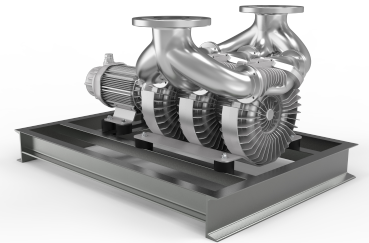
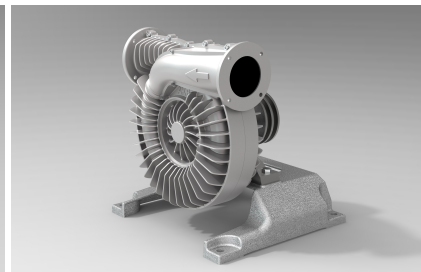
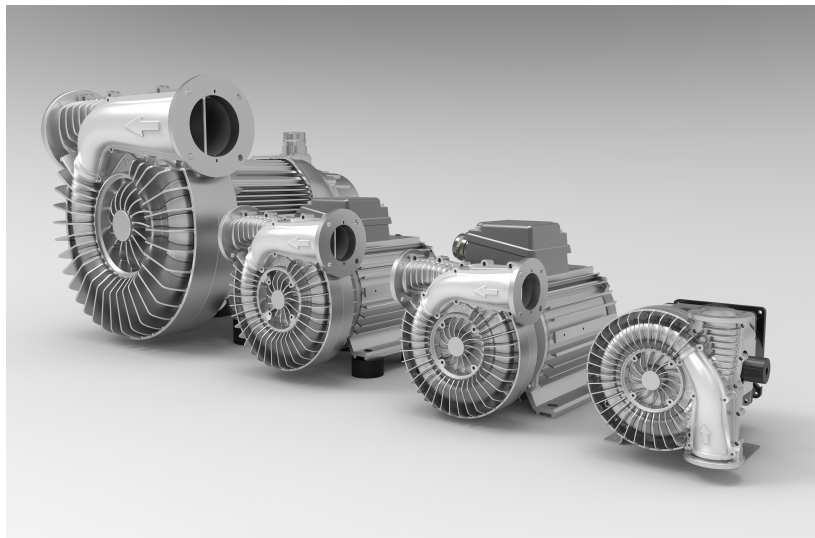
Type	P <sub>2</sub> Max [HP]	fmax [Hz]	QMax [CFM]	n <sub>max</sub> <sup>(4)</sup> [RPM]	Δp <sub>max</sub> <sup>(1)</sup> [inch H <sub>2</sub> O]	U <sup>(2)</sup> [V]	I <sub>max</sub> [A]	Motor Efficiency	Noise Level dB(A) <sup>(3)</sup>	Weight [lbs.]
AKB1000-1MB182-1	24.4	440	588	13,200	-225/257	3ph, 380-480V, 50/60Hz or 3ph, 208-240V, 50/60Hz	37.0	IE4/Super Premium	75	97
AKB1000-1MB322-1	43.7	440	588	13,200	-225/400	3ph, 208-240V, 50/60Hz	74.0	IE4/Super Premium	76	122

## DIMENSIONS



\*Curves are valid for continuous operation. Medium: air at 59°F, measured at inlet port and 14.696 psia atmospheric backpressure. Ambient temperature: -13° to +104°F. Curve values are nominal, actual performance may vary by up to 10% of the values indicated. For inlet temperatures above approximately 80°F or for handling gases other than air, please contact your Airtech sales representative for assistance.

## CUSTOM ENGINEERED SOLUTIONS



### AIRTECH GROUP, INC.

RUTHERFORD, NJ 07070  
 WWW.AIRTECHUSA.COM  
 TEL: (888) 222-9940  
 FAX: (201) 569-1696